

NEW



CAPTIS-M COLLET CHUCK

The manually operated collet chuck for
rotating and stationary use

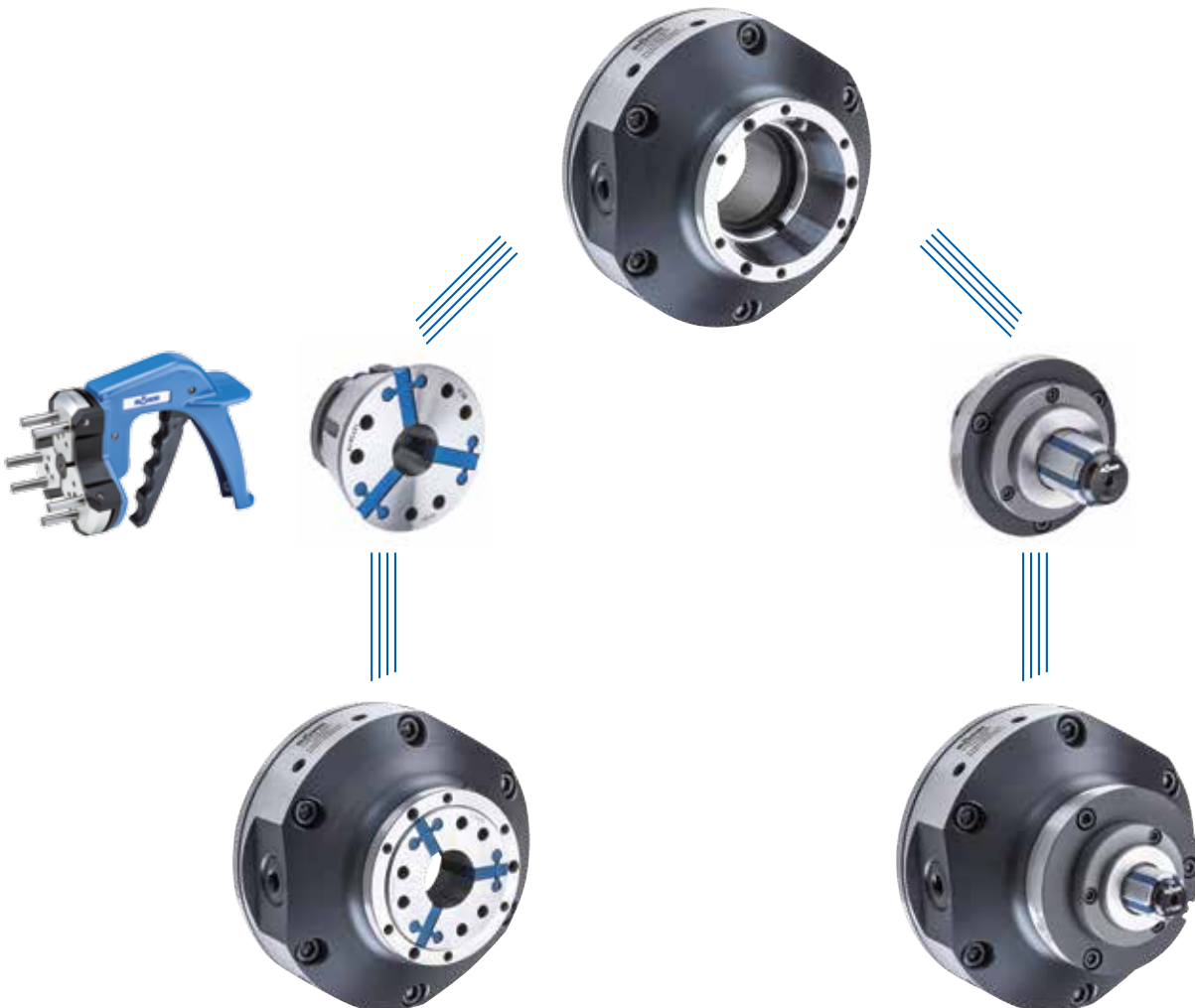
RÖHM
driven by technology

CAPTIS-M COLLET CHUCK

The modularly designed CAPTIS clamping system gets a new family member: the CAPTIS-M collet chuck manually operated with a security key. This new member is impressive as a real all-rounder for both rotating and stationary use. It also has the proven CAPTIS features, such as maximum flexibility, compact design for an enlarged working space, quick-change function from external to internal clamping in less than one minute, high concentricity and repeatability of < 0.01 mm as well as an uniform force distribution.

MODULAR AND FLEXIBLE CAPTIS CLAMPING SYSTEM

As a consistent modular system, it is possible to combine the individual components such as the CAPTIS-M collet chuck with the CAPTIS collet and ABSIS-C clamping mandrel depending on use.



BENEFITS AT A GLANCE

GREATEST FLEXIBILITY

- ⌚ Fast conversion from external to internal clamping in less than one minute due to the innovative and patent-pending quick-change function
- ⌚ Numerous combination options due to modular construction

COMPACT AND MODULAR CONSTRUCTION

- ⌚ Compact design with reduced interfering contours for optimum workpiece accessibility and enlarged working space
- ⌚ Modular conversion option for internal and external workpiece stop

SENSITIVE & DEFORMATION-FREE CLAMPING

- ⌚ Precise concentricity and repeatability of < 0.01 mm
- ⌚ Uniform force distribution by enclosing clamping
- ⌚ Stable clamping using axial tension

FLEXIBLE APPLICATIONS

The CAPTIS-M collet chuck operated manually with a security key is ideally suited for rotating use in lathes as well as for stationary use in drilling, milling and machining centers, measuring machines as well as for conventional and manual processing.

ROTATING USE

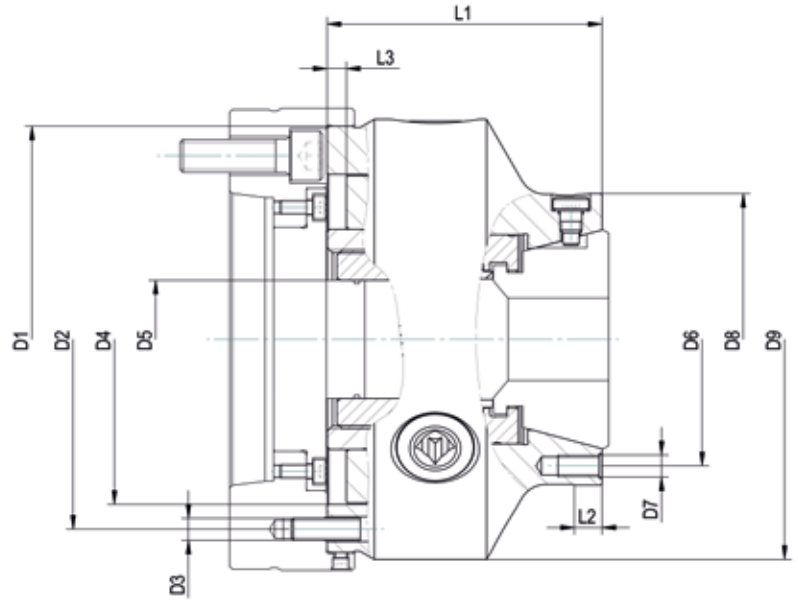


STATIONARY USE



CAPTIS-M COLLET CHUCK

WITH AXIAL TENSION



CAPTIS-M collet chuck – with axial tension against the optional workpiece stop

Size	32	42	52	65	80
Collet chuck	1345401	1345402	1345403	1345404	1345405
D1 mm	137	155	155	215	215
D2 mm	120	138	138	190	190
D3	6x M8	6x M8	6x M8	6x M12	6x M12
D4 mm	102	120	120	160	160
D5 mm	35	43	53	66	81
D6 mm	70	92	92	110	132
D7	3x M8	3x M8	3x M8	3x M8	3x M10
D8 mm	84	106	106	122	152
D9 mm	140	160	160	215	215
L1 mm	90	100	100	110	110
L2 mm	10	10	10	10	10
L3 mm	7	7	7	7	7
Total stroke mm	6	6	6	6	6
Collet elongation mm	2.1	2.6	2.6	2.6	2.6
Speed max. min ⁻¹	6000	5500	5000	4500	4000
Chucking capacity mm	4-32	4-42	4-52	4-65	5-80
Manual changing device	1283285	1283286	1283287	1283288	1283289
Chuck key (only for chucks with stationary use)	107428	107429	107429	107430	107430
Security key (acc. to DIN 1550 for rotating chucks)	154372	154373	157373	154374	154374
Turning fixture for soft collets	1316901	1316902	1316903	1316904	1316905



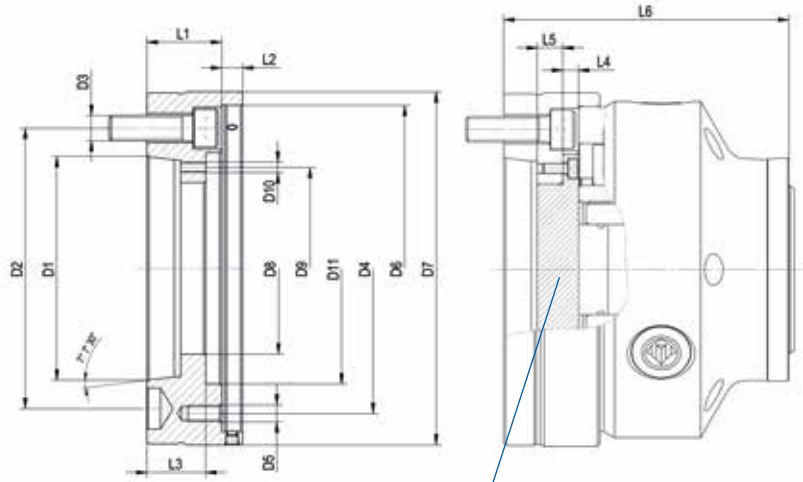
Manual changing device



Security key

INTERMEDIATE FLANGE

SUITABLE FOR CAPTIS-M, CAPTIS-D, CAPTIS-A, CAPTIS-AF, PREPARED FOR INTERNAL WORKPIECE STOP IN THE INTERMEDIATE FLANGE



Basic stop

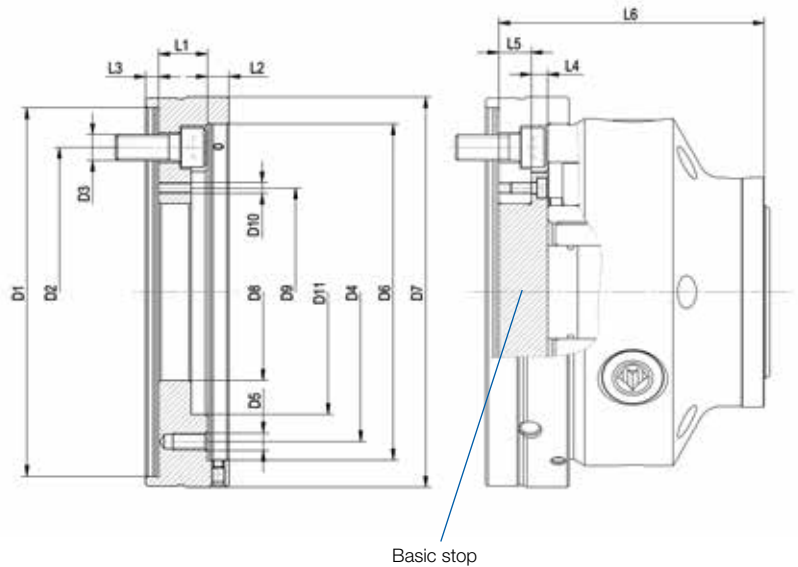
CAPTIS-M Intermediate flange ISO 702-1 (DIN 55028)

Size	32 - No. 5	32 - No. 6	42/52 - No. 5	42/52 - No. 6	42/52 - No. 8	65/80 - No. 6	65/80 - No. 8
Intermediate flange	1283194	1283195	1283198	1283199	1283200	1283203	1283204
D1 mm	82.563	106.375	82.563	106.375	139.719	106.375	139.719
D2 mm	104.8	133.4	104.8	133.4	171.4	133.4	171.4
D3	6x M10	3x M12	6x M10	3x M12	3x M16	6x M12	3x M16
D4 mm	100/120	100/120	138	138	138	190	190
D5	6x M8	6x M8	6x M8	6x M8	6x M8	6x M12	6x M12
D6 mm	137	137	155	155	155	215	215
D7 mm	150	165	168	168	210	230	230
D8 mm	63	63	81.5	81.5	81.5	103.2	136.4
D9 mm	75	75	95	95	95	120	150
D10	6x M5	6x M5	6x M5	6x M5	6x M5	6x M5	6x M5
D11 mm	87	87	113	110	113	164	164
L1 mm	34.5	35.5	36	35.5	42	47	40
L2 mm	10	10	10	10	10	10	10
L3 mm	27	28	28.5	28	34.5	24.5	32.5
L4 mm	7.5	7.5	7.5	7.5	7.5	22.5	7.5
L5 mm	12	12	12	12	12	8	15
L6 mm	124.5	125.5	136	135.5	142	157	150
Basic stop	1345577	1345577	1345579	1345579	1345579	1345581	1345583

Basic stop (tempered) / individual workpiece stop available on request.

INTERMEDIATE FLANGE

SUITABLE FOR CAPTIS-M, CAPTIS-D, CAPTIS-A, CAPTIS-AF, PREPARED FOR INTERNAL WORKPIECE STOP IN THE INTERMEDIATE FLANGE



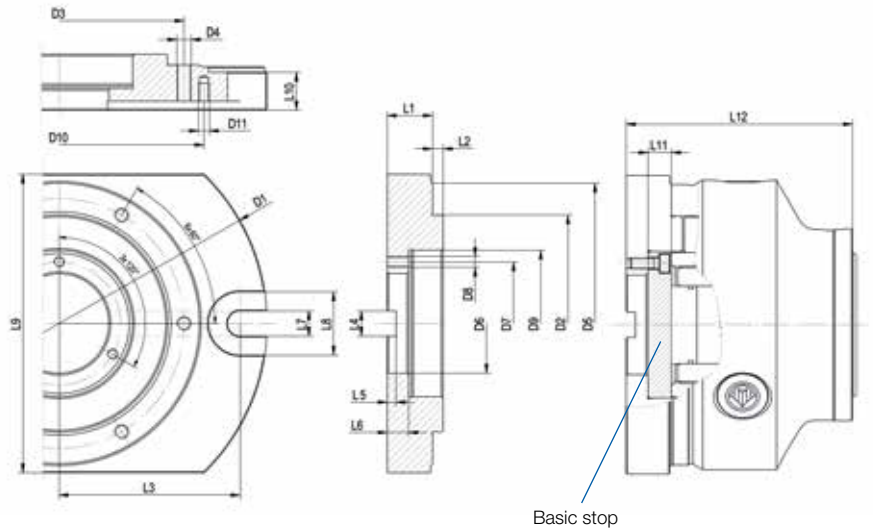
CAPTIS-M Intermediate flange ISO 702-4 (DIN 55028)

Size	32-Z140	42/52-Z140	42/52-Z170	65/80-Z170	65/80-Z220
Intermediate flange	1283196	1283201	1283202	1283205	1283206
D1 mm	140	140	170	170	220
D2 mm	104.8	104.8	133.4	133.4	171.4
D3	6x M10	6x M10	6x M12	6x M12	6x M16
D4 mm	100/120	138	138	190	190
D5	6x M8	6x M8	6x M8	6x M12	6x M12
D6 mm	137	155	155	215	215
D7 mm	150	168	180	230	230
D8 mm	63	81.5	81.5	102	137
D9 mm	75	95	95	120	150
D10	6x M5	6x M5	6x M5	6x M5	6x M5
D11 mm	87	112	113	164	164
L1 mm	19.5	27.5	22.5	47	40
L2 mm	10	10	10	10	10
L3 mm	6	6	6	6	6
L4 mm	7.5	7.5	7.5	22.5	7.5
L5 mm	12	20 (12)	15 (12)	24.5	32.5
L6 mm	109.5	127.5	122.5	157	150
Basic stop	1345577	1345579	1345579	1345581	1345585

Basic stop (tempered) / individual workpiece stop available on request.

BASE PLATE

SUITABLE FOR CAPTIS-M,
PREPARED FOR INTERNAL WORKPIECE STOP



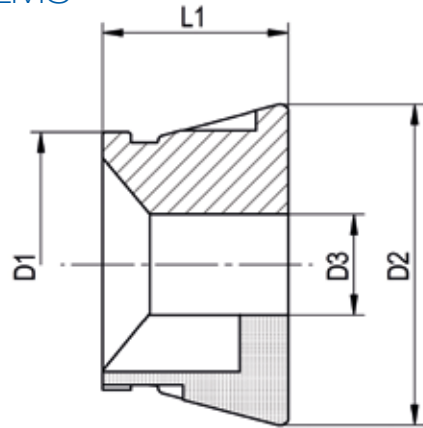
Base plate with preparation for internal workpiece stop

Size	32	42/52	65/80
Base plate	1345455	1345456	1345457
D1 mm	210	230	290
D2 mm	102	120	160
D3 mm	120	138	190
D4	6x M8	6x M8	6x M12
D5 mm	137	155	215
D6 mm	35	55	82
D7 mm	48	68	96
D8	3x M5	3x M6	3x M6
D9 mm	61	81	111
D10 mm	140	160	220
D11	2x M6	2x M6	2x M6
L1 mm	25	25	25
L2 mm	6	6	6
L3 mm	90	100	130
L4 mm	14	14	14
L5 mm	5	5	5
L6 mm	12	12	12
L7 mm	14	14	14
L8 mm	35	35	35
L9 mm	145	165	220
L10 mm	21	21	21
L11 mm	13	13	13
L12 mm	115	125	135
Basic stop	1345467	1345469	1345471

Basic stop (tempered) / individual workpiece stop available on request.

COLLET

SUITABLE FOR ALL CAPTIS CLAMPING SYSTEMS



(G): Smooth
 (LQ): Longitudinal and transverse grooves
 (Q): Transverse grooves
 (W): Soft

from 4-7 mm smooth
 from 8-10 mm with trans. grooves
 caused by production

* Please specify clamping diameters D3 in the order, valid for collet chucks type LQ + Q

Clamping of unmachined parts with extension

Size	D1	D2	L1	LQ	Q	G	W	Round	Hexagon	Square	Raising	Order No.
32	46.2	57.7	47	X				8-32mm			1	CAPTIS-32-47-RLQ / D3*
32	46.2	57.7	47		X				7-27mm		1	CAPTIS-32-47-SQ / D3*
32	46.2	57.7	47		X					7-22mm	1	CAPTIS-32-47-VQ / D3*

Clamping of unmachined parts without extension

Size	D1	D2	L1	LQ	Q	G	W	Round	Hexagon	Square	Raising	Order No.
32	46.2	57.7	44			X		4-32mm			1	CAPTIS-32-44-RG / D3*
32	46.2	57.7	44				X	5,15,20mm			1	CAPTIS-32-44-WG / D3*

Clamping of unmachined parts with extension

Size	D1	D2	L1	LQ	Q	G	W	Round	Hexagon	Square	Raising	Order No.
42	54	79.5	47	X				8-42mm			0.5	CAPTIS-42-47-RLQ / D3*
42	54	79.5	47		X				7-36mm		1	CAPTIS-42-47-SQ / D3*
42	54	79.5	47		X					7-30mm	1	CAPTIS-42-47-VQ / D3*

Clamping of machined parts without extension

Size	D1	D2	L1	LQ	Q	G	W	Round	Hexagon	Square	Raising	Order No.
42	54	79.5	42			X		4-42mm			0.5	CAPTIS-42-42-RG / D3*
42	54	79.5	42				X	8,15,30mm			0.5	CAPTIS-42-42-WG / D3*

Clamping of unmachined parts with extension

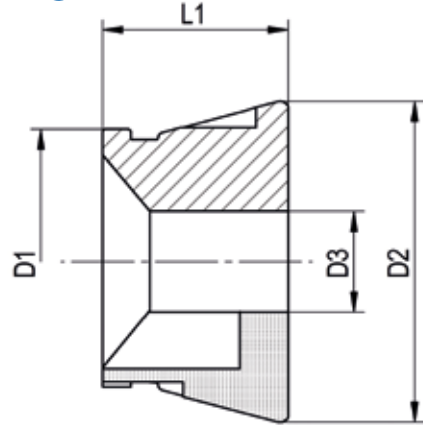
Size	D1	D2	L1	LQ	Q	G	W	Round	Hexagon	Square	Raising	Order No.
52	65.7	79.5	46	X				8-52mm			0.5	CAPTIS-52-46-RLQ / D3*
52	65.7	79.5	46		X				7-45mm		1	CAPTIS-52-46-SQ / D3*
52	65.7	79.5	46		X					8-36mm	1	CAPTIS-52-46-VQ / D3*

Clamping of machined parts without extension

Size	D1	D2	L1	LQ	Q	G	W	Round	Hexagon	Square	Raising	Order No.
52	65.7	79.5	46			X		4-52mm			0.5	CAPTIS-52-46-RG / D3*
52	65.7	79.5	46				X	8,15,30mm			0.5	CAPTIS-52-46-WG / D3*

COLLET

SUITABLE FOR ALL CAPTIS CLAMPING SYSTEMS



(G): Smooth
 (LQ): Longitudinal and transverse grooves
 (Q): Transverse grooves
 (W): Soft

from 4-7 mm smooth
 from 8-10 mm with trans. grooves caused by production

* Please specify clamping diameters D3 in the order, valid for collet chucks type LQ + Q

Clamping of unmachined parts with extension

Size	D1	D2	L1	LQ	Q	G	W	Round	Hexagon	Square	Raising	Order No.
65	80	99.5	58	X				8-65mm			0.5	CAPTIS-65-58-RLQ / D3*
65	80	99.5	58		X				7-56mm		1	CAPTIS-65-58-SQ / D3*
65	80	99.5	58		X					7-46mm	1	CAPTIS-65-58-VQ / D3*

Clamping of machined parts without extension

Size	D1	D2	L1	LQ	Q	G	W	Round	Hexagon	Square	Raising	Order No.
65	80	99.5	53			X		8-65mm			0.5	CAPTIS-65-53-RG / D3*
65	80	99.5	53				X	8,20,40mm			0.5	CAPTIS-65-53-WG / D3*

Clamping of unmachined parts with extension

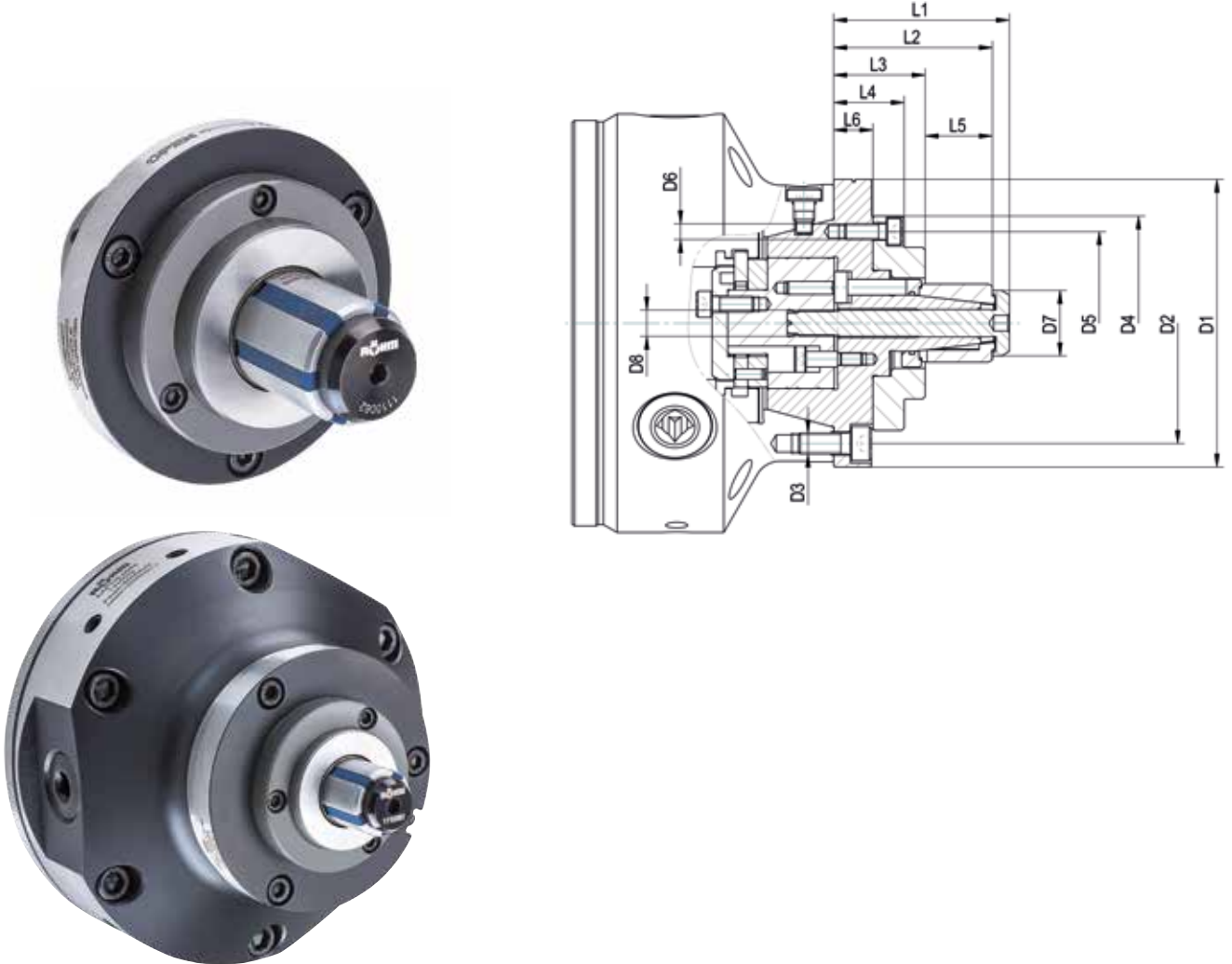
Size	D1	D2	L1	LQ	Q	G	W	Round	Hexagon	Square	Raising	Order No.
80	94.5	114.5	53	X				11-80mm			1	CAPTIS-80-53-RLQ / D3*
80	94.5	114.5	53		X				7-68mm		1	CAPTIS-80-53-SQ / D3*
80	94.5	114.5	53		X					8-42mm	1	CAPTIS-80-53-VQ / D3*

Clamping of machined parts without extension

Size	D1	D2	L1	LQ	Q	G	W	Round	Hexagon	Square	Raising	Order No.
80	94.5	114.5	53			X		5-80mm			1	CAPTIS-80-53-RG / D3*
80	94.5	114.5	53				X	20,30,40,60mm			1	CAPTIS-80-53-WG / D3*

ABSIS-C MANDREL

SUITABLE FOR FOR CAPTIS-M, CAPTIS-D, CAPTIS-A



ABSIS-C clamping mandrel

Size	ABSIS 00	ABSIS 00	ABSIS 00	ABSIS 00	ABSIS 01	ABSIS 01	ABSIS 01	ABSIS 01	ABSIS 02	ABSIS 02	ABSIS 02	ABSIS 03
Segment clamping mandrel	1286200	1286201	1286202	1286203	1286204	1286205	1286206	1286207	1286208	1286209	1286210	1286211
For	CAPTIS 32	CAPTIS 42	CAPTIS 52	CAPTIS 65	CAPTIS 32	CAPTIS 42	CAPTIS 52	CAPTIS 65	CAPTIS 42	CAPTIS 52	CAPTIS 65	CAPTIS 65
D Min-Ø unclamped from mm	19.7	19.7	19.7	19.7	25.7	25.7	25.7	25.7	35.7	35.7	35.7	50.7
D Min-Ø unclamped to mm	27.7	27.7	27.7	27.7	38.7	38.7	38.7	38.7	54.7	54.7	54.7	81.7
D1 mm	88	108	110	128	88	108	110	128	110	110	128	128
D2 mm	70	90	92	110	70	90	92	110	90	92	110	110
D3	3x M8	3x M8	3x M8	3x M8	3x M8	3x M8	3x M8	3x M8	3x M8	3x M8	3x M8	3x M8
D4 mm	82	82	82	82	82	82	82	82	97	97	97	102
D5 mm	70	70	70	70	70	70	70	70	84	84	84	89
D6	3x M6	3x M6	3x M6	3x M6	3x M6	3x M6	3x M6	3x M6	3x M6	3x M6	3x M6	3x M6
D7 mm	19	19	19	19	25	25	25	25	35	35	35	48
D8 mm	M6x0.75	M6x0.75	M6x0.75	M6x0.75	M10x1	M10x1	M10x1	M10x1	M14x1	M14x1	M14x1	M18x1
L1 mm	62.2	62.2	62.2	62.2	67.2	67.2	67.2	67.2	95.2	95.2	95.2	105.2
L2 mm	56.7	56.7	56.7	56.7	60.7	60.7	60.7	60.7	85	85	85	93.2
L3 mm	35	35	35	35	35	35	35	35	42.5	42.5	42.5	44.5
L4 mm	25	25	25	25	27	27	27	27	30.25	30.25	30.25	31.5
L5 mm	21.7	21.7	21.7	21.7	25.7	25.7	25.7	25.7	42.5	42.5	42.5	48.7
L6 mm	15	15	15	15	15	15	15	15	18	18	18	18.5

Clamping sleeves, workpiece stop and other accessories for ABSIS-C can be found in the RÖHM general catalogue.

CAPTIS SYSTEM COMPONENTS

SYSTEM COMPONENTS

The design as a consistently modular system makes it possible to combine individual components such as CAPTIS collet chuck, CAPTIS collet and ABSIS-C mandrel depending on the application.



NEW



CAPTIS COLLET

- ⌚ Interchangeable rubber segments made of an innovative rubber compound for maximum durability
- ⌚ Clamping range ± 0.5 mm
- ⌚ Hardened and ground steel segments for high wear resistance



Different designs for clamping of machined and unmachined parts available.

CHANGING DEVICE

The quick and easy collet change within 15 seconds reduces set-up times.



ABSIS-C MANDREL

- ⌚ Innovative, patent-pending rapid-change function for quick retooling from external to internal clamping in less than one minute
- ⌚ Rapid change of clamping sleeves due to a central clamping screw
- ⌚ Stable and precise clamping due to axial pull



Mandrel suitable for CAPTIS-D, CAPTIS-A und CAPTIS-M.



RÖHM GmbH

Heinrich-Röhm-Straße 50

89567 Sontheim/Brenz

Germany

Tel +49 7325 16 0

Fax +49 7325 16 510

info@roehm.biz

www.roehm.biz



Id.-Nr. 1242411 / 0816 B